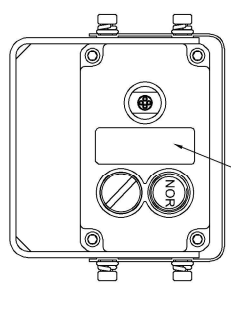
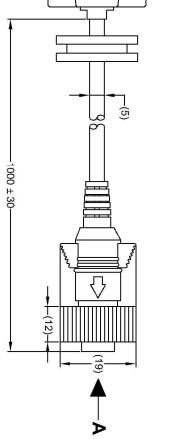
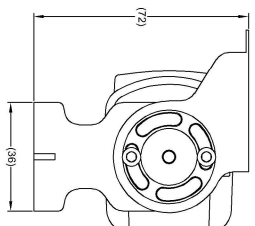
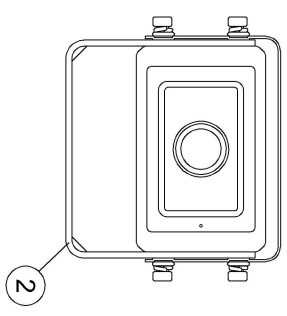
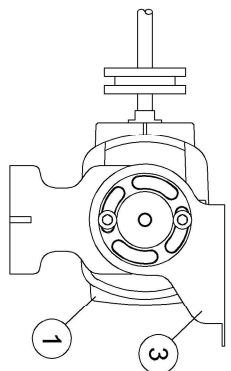
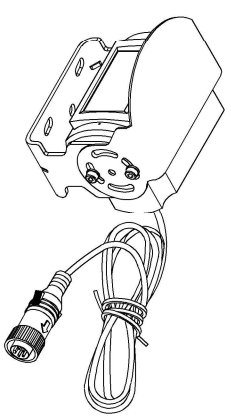
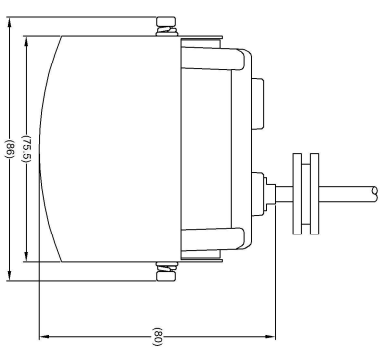
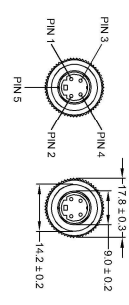


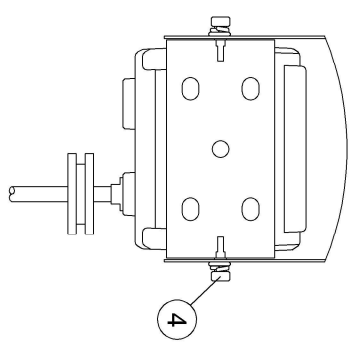
ITEM	PART NO	QTY	MODEL/DESCRIPTION
①	(4248C)	1	BE-800C-NIR-C CAMERA ONLY
②	(3244A)	1	BE-89XC/BE-X0XC-BKT CAMERA BRACKET
③	(3245)	1	BE-89XC/BE-X0XC-SS CAMERA SUNSHIELD
④	(3246)	1	BE-2XXC/8XXC-FIX CAMERA FIXING PACK (NOT SHOWN)
⑤	(4249C)	1	BE-800C-NIR-IG INSTALLATION GUIDE (NOT SHOWN)



VIEW A



PIN #	WIRE COLOUR	DESCRIPTION
1	YELLOW	VIDEO
2	RED	+12V
3	BLUE	N/C
4	WHITE	AUDIO
5	BLACK/SHIELD	GND



- NOTES:**
- REFER TO COMPONENT DRAWINGS FOR COMPONENT DETAILS.
 - FOR PRODUCT LABEL AND PACKAGING DETAILS REFER TO MASTER BOM.
 - FOR INSTALLATION DETAILS REFER TO INSTALLATION GUIDE.
 - ANY CUSTOMER MODIFICATION OF THIS PRODUCT CAUSING SUBSEQUENT FAILURE IS NOT A LIABILITY OF BRIGADE ELECTRONICS PLC.

PROPRIETARY NOTICE

THIS DESIGN AND TECHNICAL INFORMATION APPEARING ON THIS DRAWING IS THE PROPERTY OF BRIGADE ELECTRONICS, AND IS DISCLOSED IN CONFIDENCE. IT IS NOT TO BE COPIED, REPRODUCED, REVEALED TO OR EXPLOITED BY OTHERS, EITHER IN WHOLE OR IN PART WITHOUT THE EXPRESS WRITTEN CONSENT OF BRIGADE ELECTRONICS.

BRIGADE
 www.brigade-electronics.com

Assembly Pl Approval TCHOI		Approved by SLAVER		Checked by JTYRRELL		Drawn by S GOVENDER	
Angle of Projection Third Angle		Units mm	Scale N/A	Released 17/09/20	Assembly Ref -		
Status RELEASED	Part No 4247C			BE-800C-NIR			